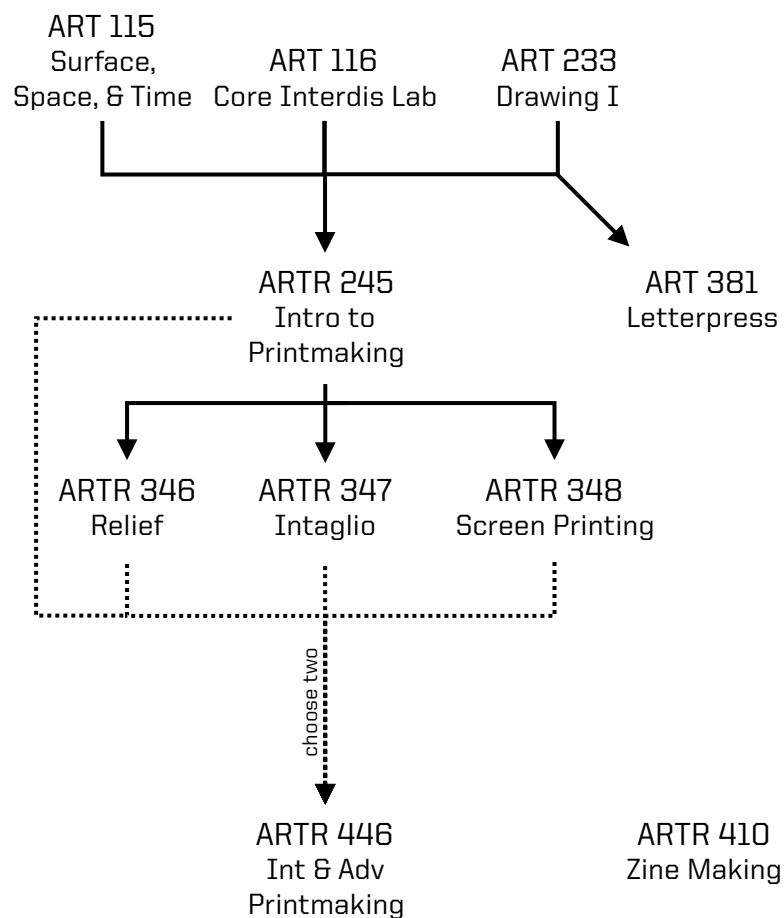


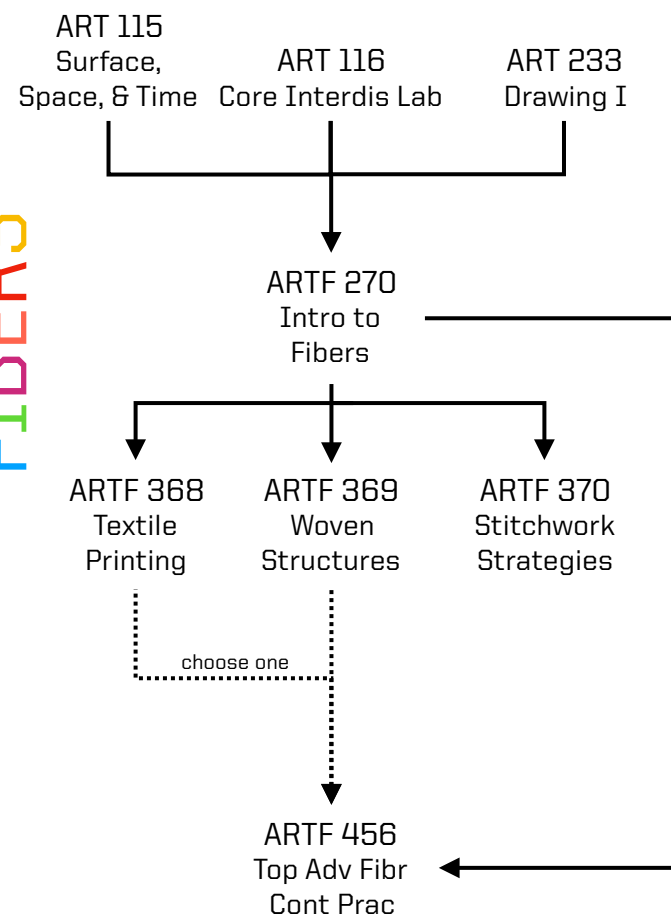
SCHOOL OF ART + DESIGN

CURRICULUM MAPS

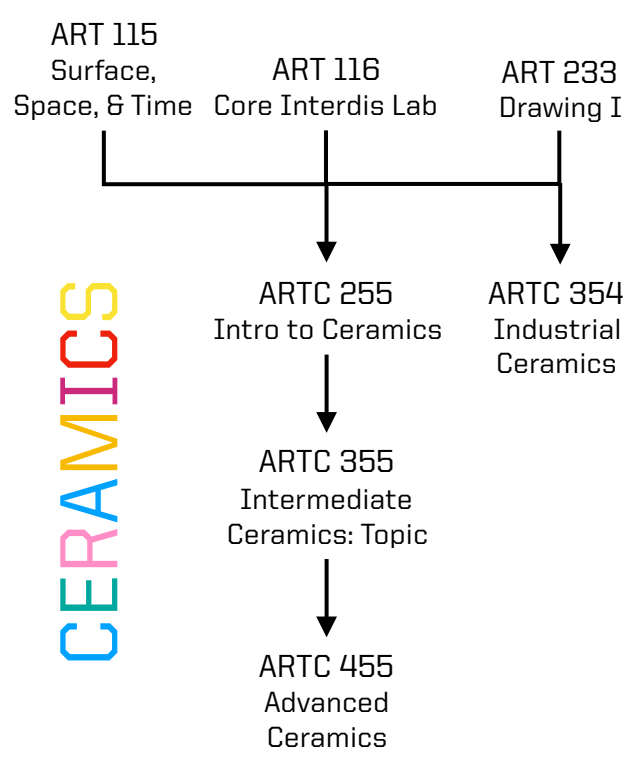
PRINTMAKING



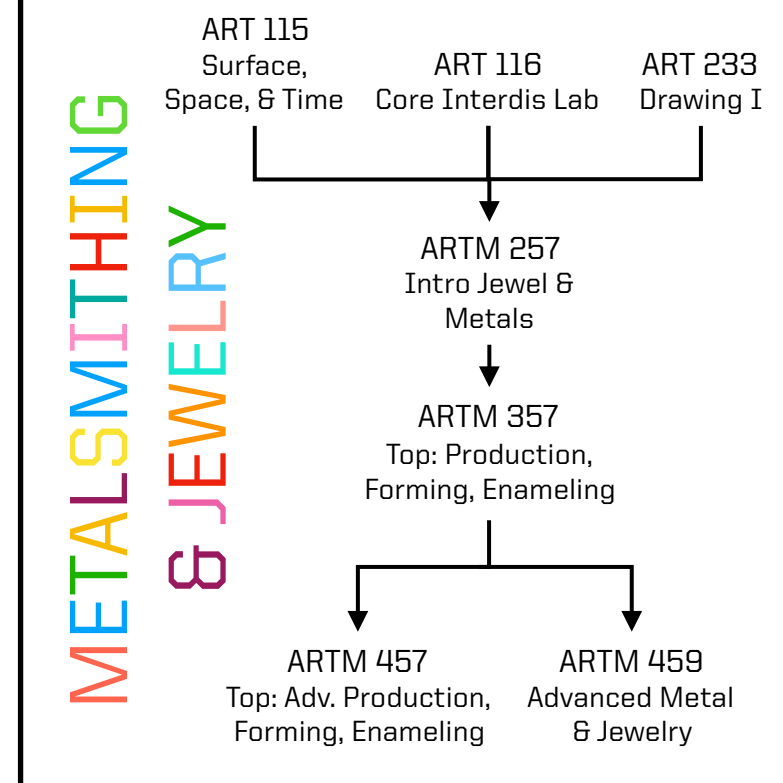
FIBERS



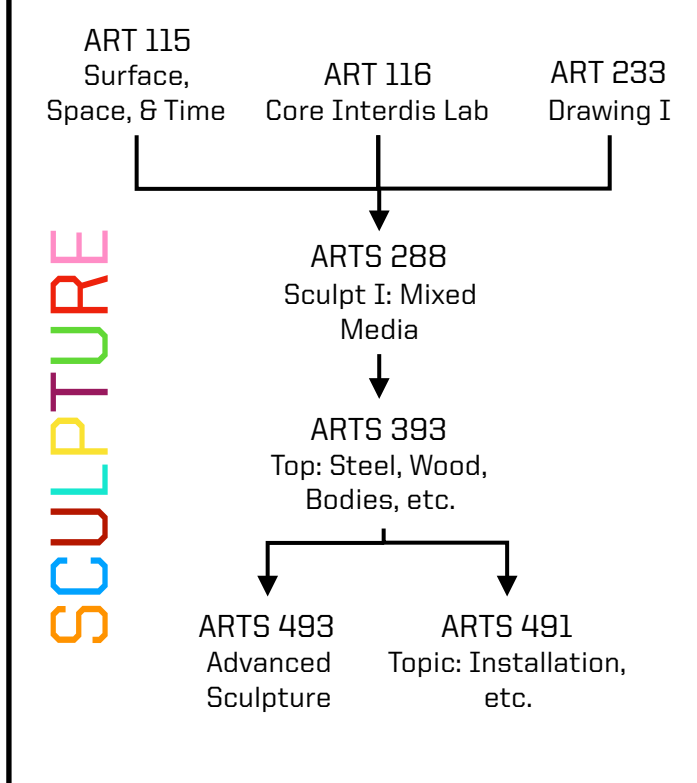
CERAMICS



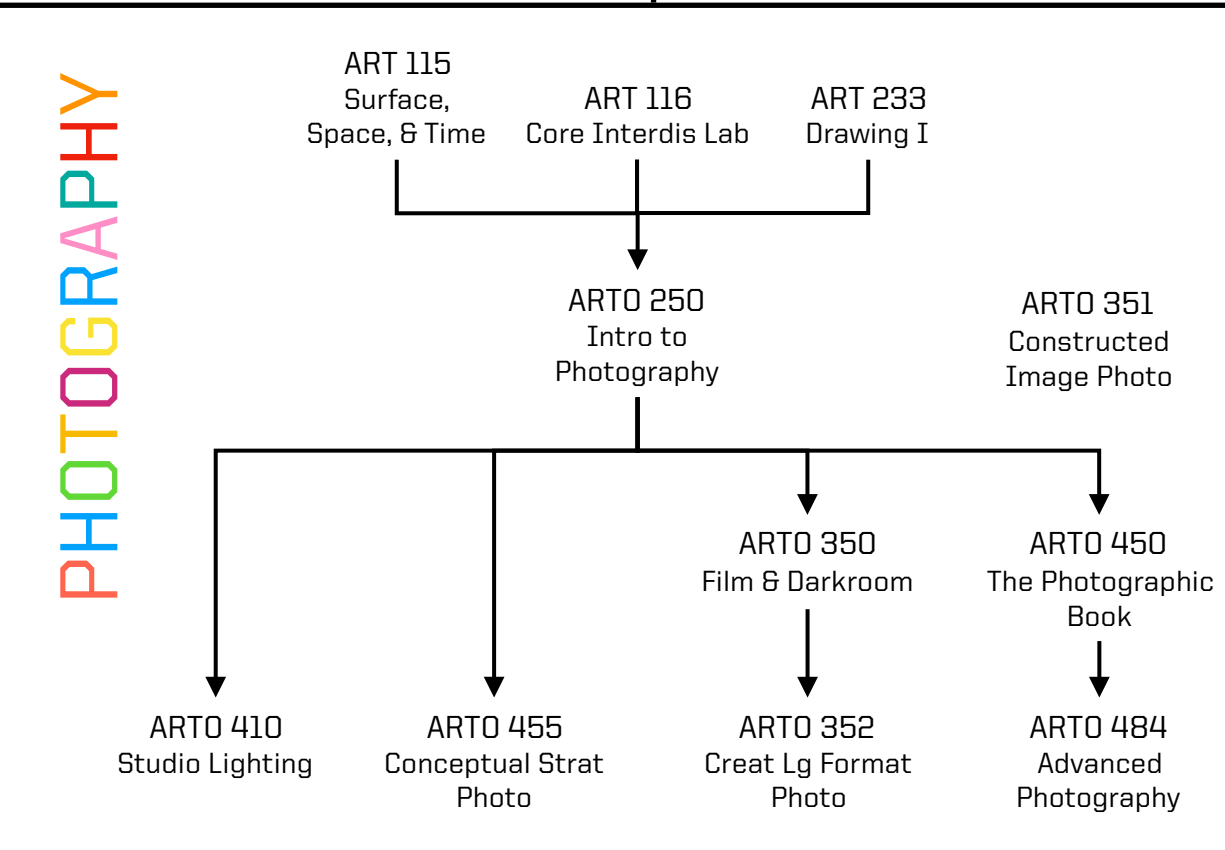
METALSMITHING & JEWELRY



SCULPTURE



PHOTOGRAPHY



PAINTING & DRAWING

